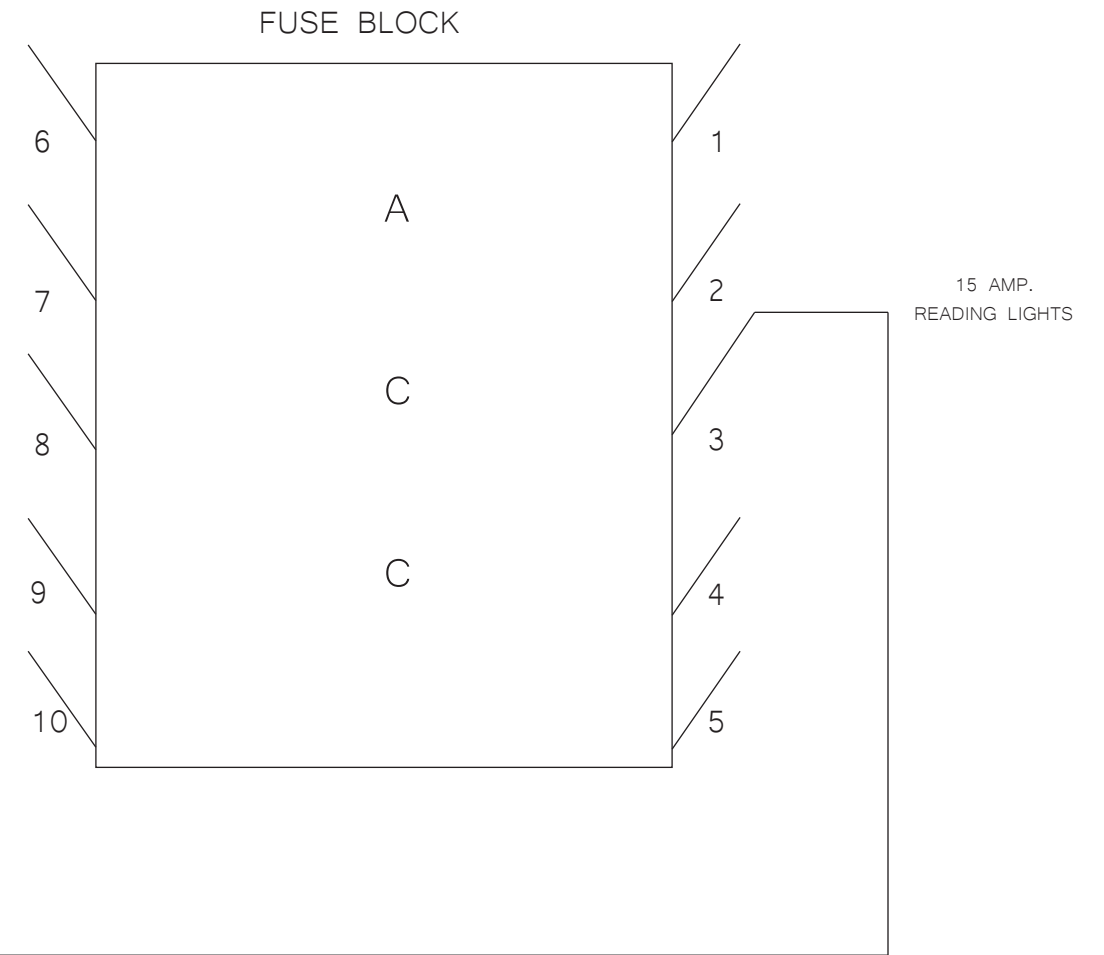
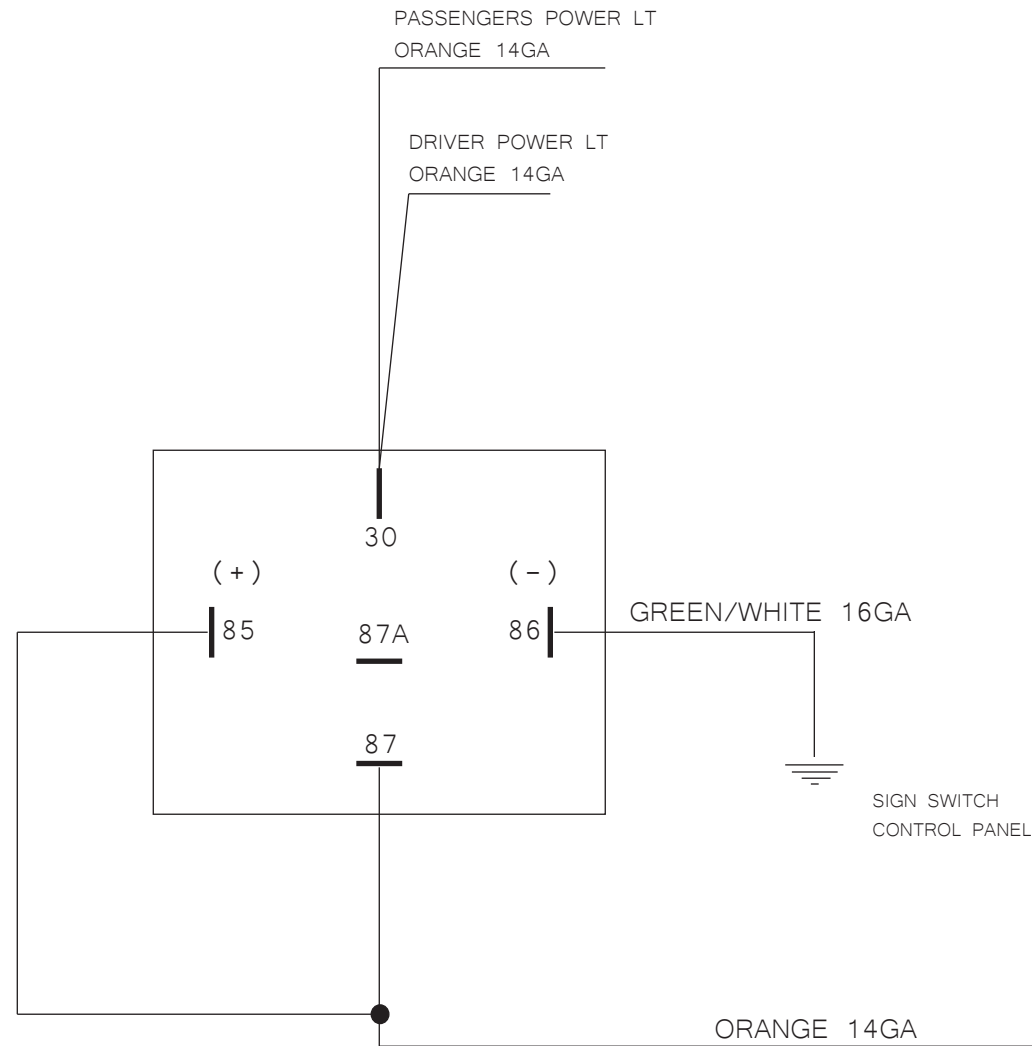



THE INFORMATION DISCLOSED ON THIS DRAWING IS PROPRIETARY. IT IS ISSUED FOR ENGINEERING USE ONLY AND MAY NOT BE REPRODUCED OR DISCLOSED, IN WHOLE OR IN PART, TO ANYONE WITHOUT THE DIRECT WRITTEN PERMISSION OF GRECH MOTORS LLC
 PARTS OR TOOLS MANUFACTURED TO MEET THE REQUIREMENTS OF THIS DRAWING MAY NOT BE USED BY OR SOLD TO ANYONE WITHOUT THE DIRECT WRITTEN PERMISSION OF GRECH MOTORS LLC.

REVISIONS			
REV	DESCRIPTION	DATE	APPD



-3	-2	-1	ITEM NO.	DWG SIZE	PART NO.	DWG NO.	DESCRIPTION	NOTES																			
QTY PER DASH NO. ASSY			LIST OF MATERIALS						 <p>SPEC CONTROL DWG. MODELS, FREIGHTLINER M2, FORD F-650 & F-550 READING LIGHTS</p>																		
UNLESS OTHERWISE SPECIFIED																											
DO NOT SCALE THIS DRAWING. ALL DIMENSIONS ARE IN INCHES.																											
ALL DIAMETERS TO BE CONCENTRIC TO COMMON CENTER LINE WITHIN .005 TIR.																											
CYLINDRICAL SURFACES AND FACES TO BE SQUARE WITHIN .005 PER INCH.																											
THREADS PER ASA AND SAE STANDARDS.																											
BREAK ALL SHARP EDGES .005/.015 R OR .005/.015 X 45°±5' CHAMFER.																											
<table border="1"> <thead> <tr> <th>HOLE DIA</th> <th>TOL-.002</th> <th>HOLE DIA</th> <th>TOL-.002</th> <th>HOLE DIA</th> <th>TOL-.002</th> </tr> </thead> <tbody> <tr> <td>.013-.125</td> <td>+.003</td> <td>.251-.500</td> <td>+.005</td> <td>.751-1.000</td> <td>+.009</td> </tr> <tr> <td>.126-.250</td> <td>+.004</td> <td>.501-.750</td> <td>+.007</td> <td>1.001-2.000</td> <td>+.011</td> </tr> </tbody> </table>										HOLE DIA	TOL-.002	HOLE DIA	TOL-.002	HOLE DIA	TOL-.002	.013-.125	+.003	.251-.500	+.005	.751-1.000	+.009	.126-.250	+.004	.501-.750	+.007	1.001-2.000	+.011
HOLE DIA	TOL-.002	HOLE DIA	TOL-.002	HOLE DIA	TOL-.002																						
.013-.125	+.003	.251-.500	+.005	.751-1.000	+.009																						
.126-.250	+.004	.501-.750	+.007	1.001-2.000	+.011																						
TOLERANCES ON:																											
DECIMALS			FRACTIONS		ANGLES		SURFACE FINISH																				
.XXX=±.010			.XX=±.03		±1/64		±1°																				
MATERIAL:			FINISH:																								
DR ANA GABRIELA MORALES ZAPIEN			04/12/2013		DESIGN		REVISION																				
CHK			APPD		SCALE:		SHEET 1 OF 1																				



SIZE	PART NUMBER	REVISION
C	DRAWING NUMBER	N/C